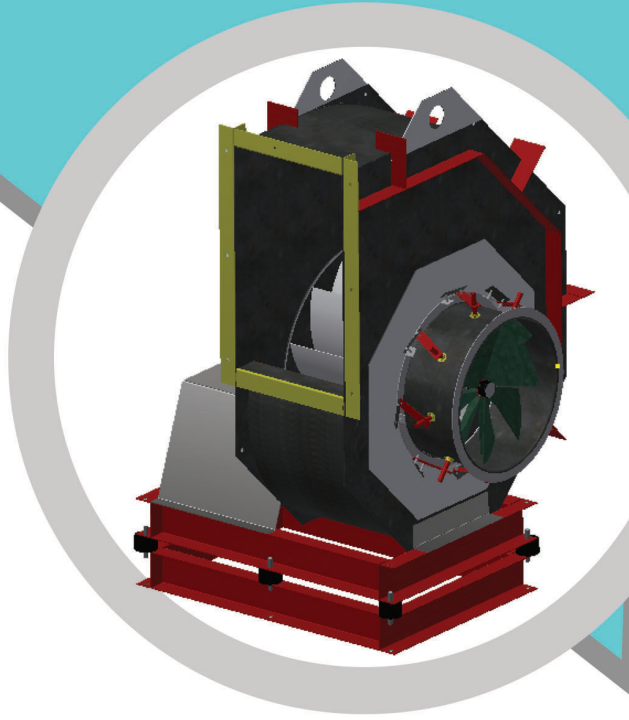
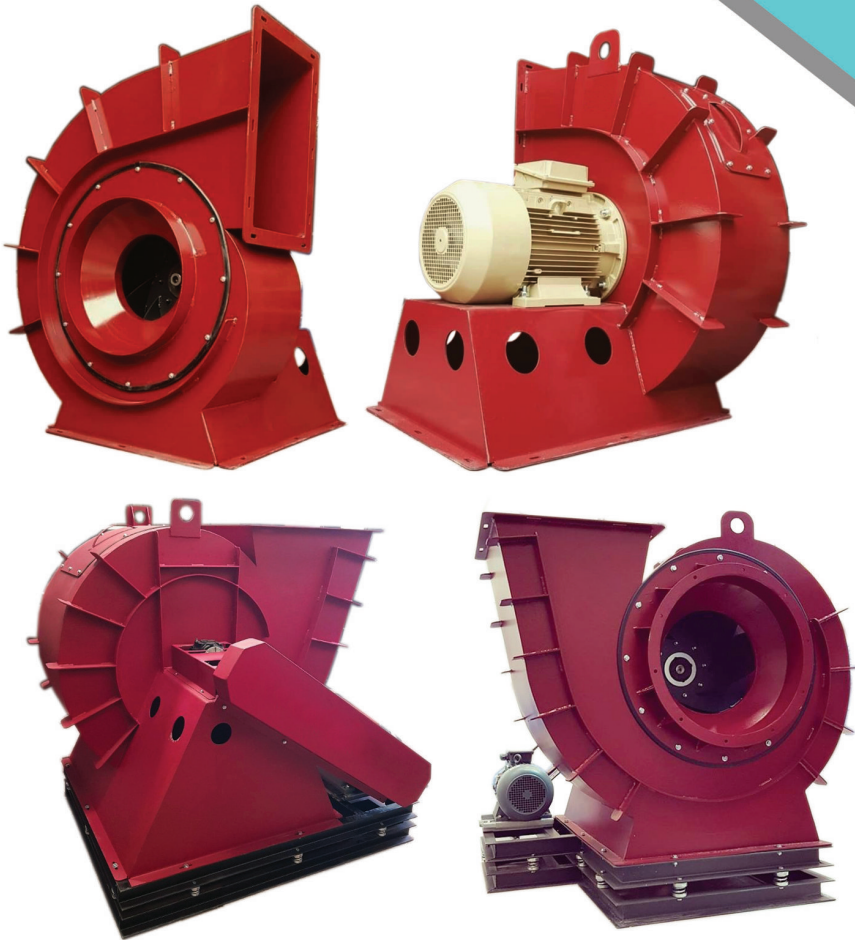




SAHAND HAVASAZ

# Centrifugal Fans



Power transmission from the generator to the impeller is in two modes of direct coupling and belt pulley.

The suction of air into the impeller is done in two modes of suction from one side and suction from two sides with the ability to hit or not to hit the bearings and pulleys and belts in the fan.

The type of impeller in the fan is produced in two modes: backward and forward impeller.

All fans made by this company are equipped with an inspection valve and water drain gauge (for supply, maintenance, and washing of the fan). It has a shock absorber chassis (to prevent rotation and vibrations of pulley, impeller, and generator) along with a safety cover on the pulley bearing shaft and belt (to prevent humidity, dirt, and dust).

It should be noted that the company has used its special Louvre damper to control the amount of aeration and air pressure due to the power of the generator in the fan.

Upon the order, the type of raw materials in the fans could be changed depending on the customer's request.

★ Our company can design and produce a variety of fans with different aeration capacities, pressures, and powers. All fans could be designed in a way to be fully disassembled and reassembled (to facilitate the supply and maintenance to accelerate product transfer to the desired destination).



SAHAND HAVASAZ

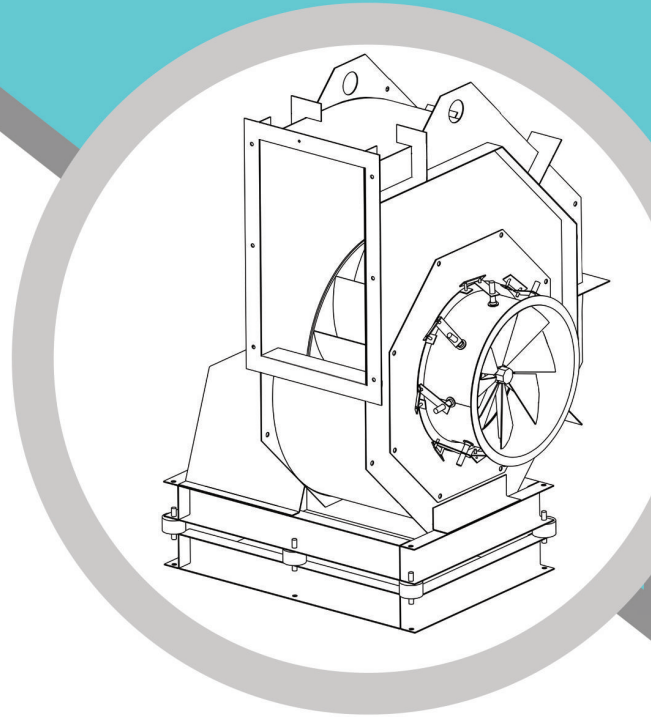
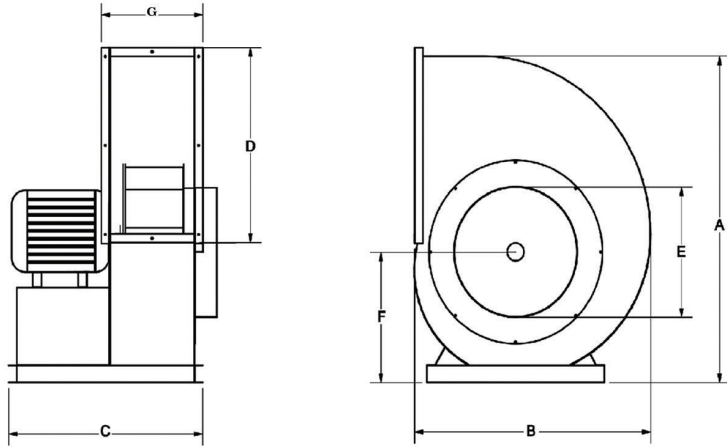
# Centrifugal Fans

## Backward Impeller

Capability of fans design in various capacities

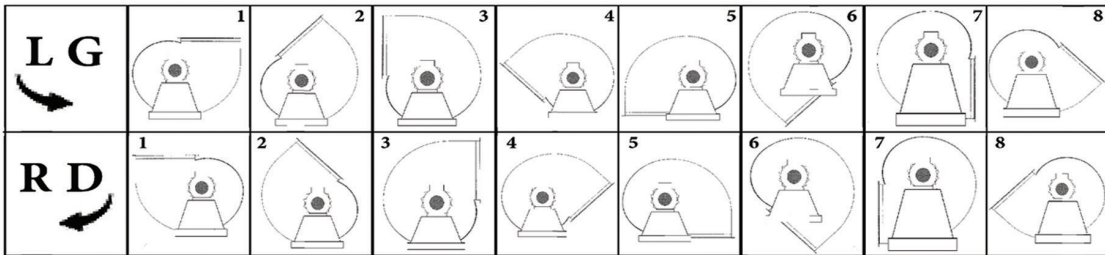
+989122586618

+982156543512



### direct drive and single side intel

All numbers which already mentioned in the tables related to the free function of fan



100	90	80	71	63	56	50	45	40	TIP
41680	30000	23300	15840	13000	9000	6500	5000	4909	m <sup>3</sup> /h
1900	1800	1700	1250	1100	880	830	792	550	pa
30	18.5	15	7.5	5.5	3	2.2	1.5	1.1	kw
1471	1459	1455	1455	1420	1410	1410	1405	1395	Rpm

100	90	80	71	63	56	50	45	40	TIP
30000	24500	22000	19700	15800	12300	9900	6500	5600	m <sup>3</sup> /h
3600	3240	3000	2750	2500	2200	2000	1700	1400	pa
37	30	22	18.5	15	11	7.5	4	3	kw
2962	2953	2923	2940	2925	2940	2905	2895	2860	Rpm

WWW.SAHANDHAVASAZCO.COM